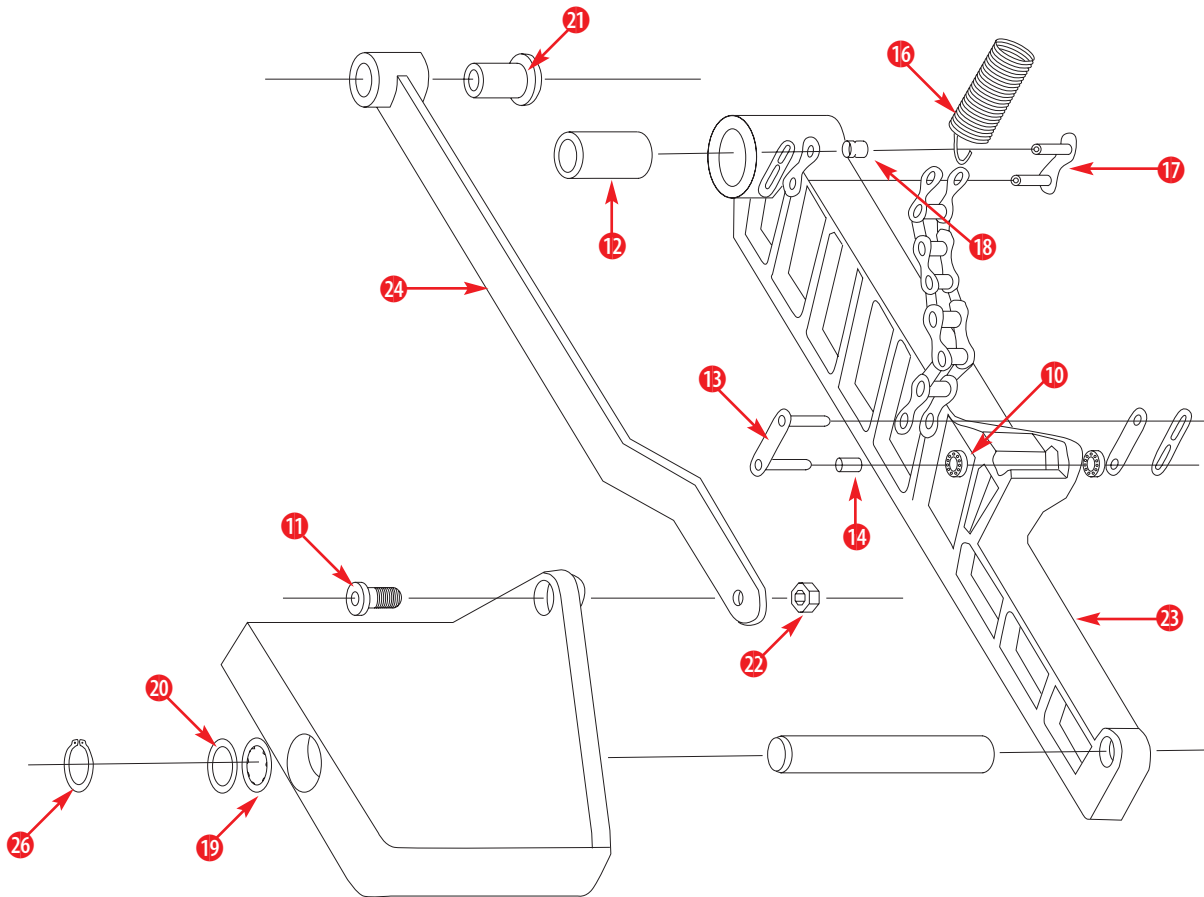


NGS Schematics



StairMaster 4000PT Pedal Arm Schematic



Pedal Arm Components

10	SM050	Bearing, 1/4", pedal arm	22	SM065	Nut, flange, shoulder bolt
10	SM050.1	Bearing, plastic (new style)	19	SM057	Wave Washer
11	SM051	Shoulder Bolt	20	SM058	Flat Washer, 5/8", pedal shaft
12	SM052	Bushing, pedal arm	21	SM059	Bushing, level arm
13	SM053	Master Link	23	SMA01	Right Pedal Arm (new)
14	SM054	Sleeve, bearing insert	23	SMA02	Left Pedal Arm (new)
16	SM055	Spring, pedal return	24	SM082	Level Arm w/Sleeve, snap ring, cap
17	SM056	Master Link	26	SMAB09	Snap Ring, pedal shaft
18	SM068	Chain Spring Connector			